

Available in:
All standard IOF finishes.

Dimensions:
30"W x 60"H x 6"D
(Base: 30"W x 15"D)

Material:
Melamine Stand

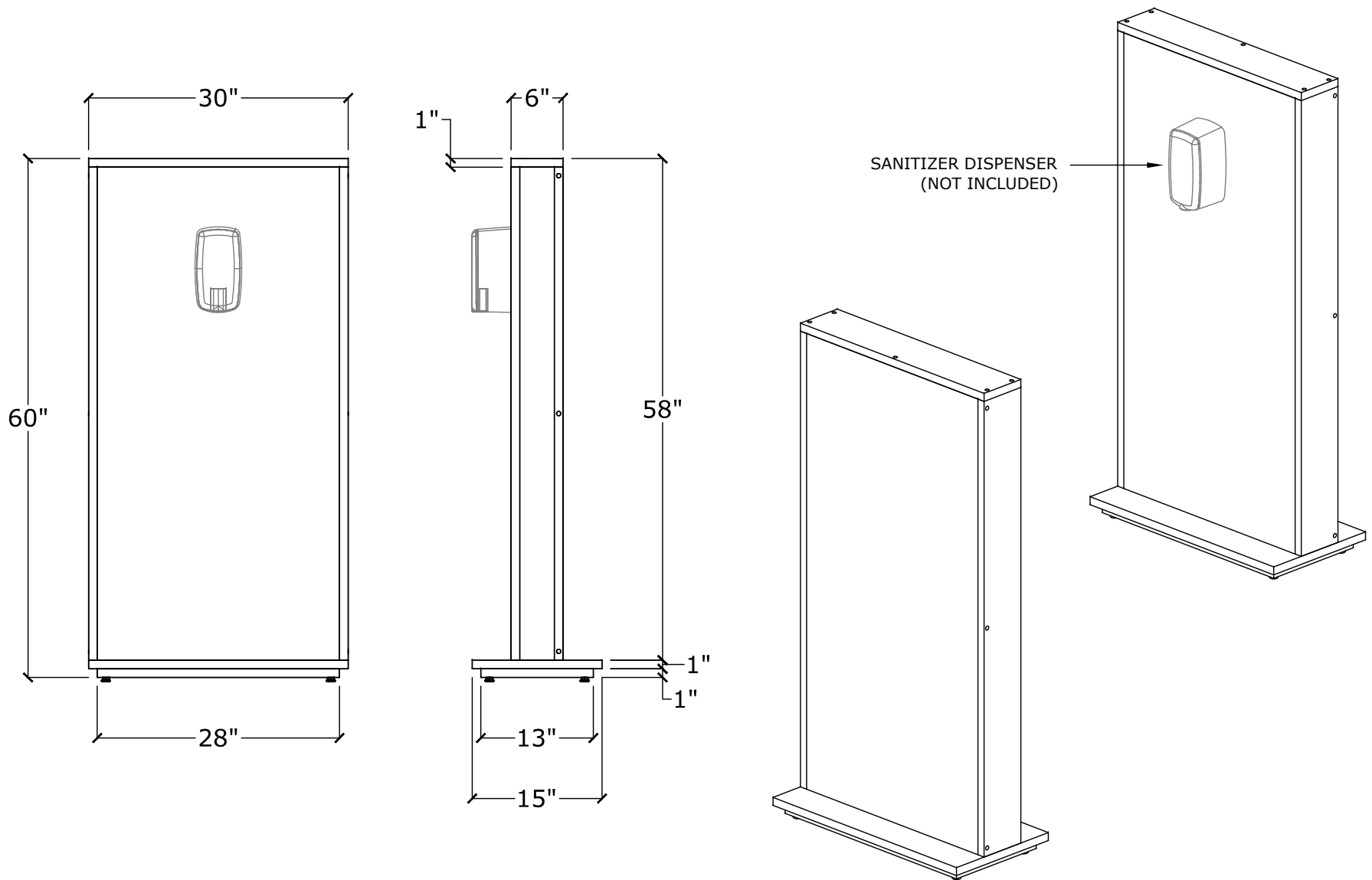
Starting at:
\$800 List

**Dealer to determine and provide additional
hardware needed for install.**

Dealer to provide sanitizer dispenser.

**Orders submitted with ANY changes to your approved drawing will not be processed.
Please contact your inside sales representative for an updated drawing before submitting your purchase order.**

1



APPROVED QUOTE SHEET (VALID FOR 90 DAYS)



Drawing is complete. Please proceed and see the attached purchase order.

Signature _____ Date _____



Changes required. See my notes and provide me with an updated drawing and quotation.

PO# / Project:	
Tag:	
Client: IOF BUSINESS FURNITURE	
Date: 05/15/2020	F
CAD File: Station #4	
Page: 1 of 1	