

Available in:

White, Black , Candlelight, Graphite Wood and Hard Rock Maple

Internal Opening:

8.5"W x 18"H x 3.25"D

Material:

Thermofoil Front, Melamine Box

Starting at:

\$375 List

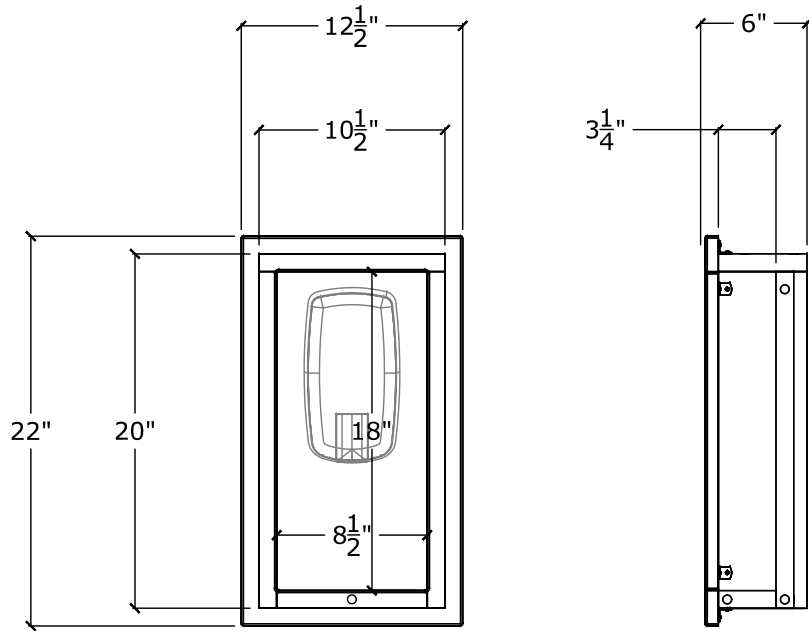
Dealer to determine and provide additional hardware needed for install.

Dealer to provide sanitizer dispenser.

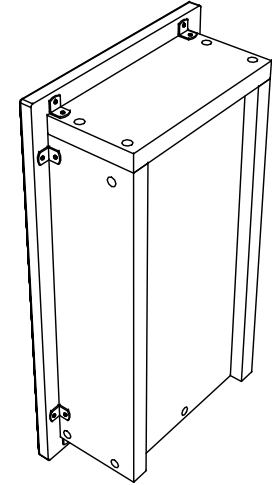
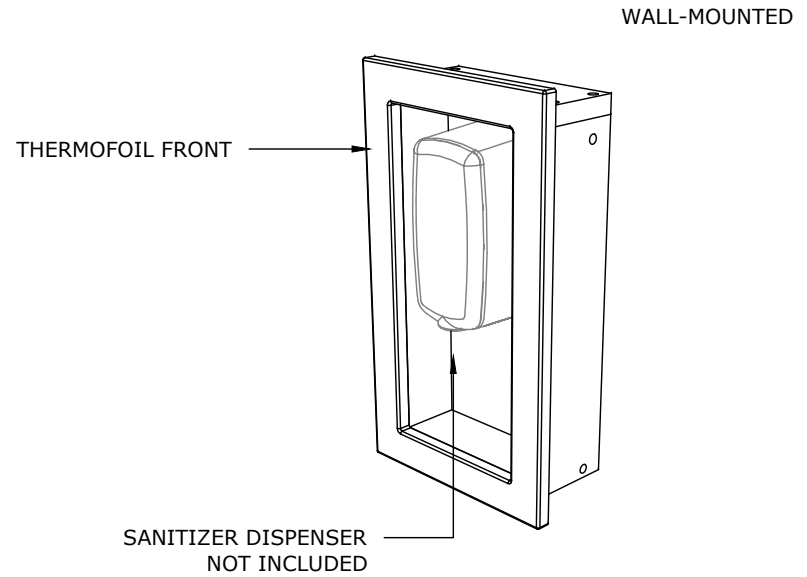
Minimum Order: 5 pcs

**Orders submitted with ANY changes to your approved drawing will not be processed.
Please contact your inside sales representative for an updated drawing before submitting your purchase order.**

NOTE: WALL-MOUNTED UNIT MUST BE PROFESSIONALLY INSTALLED (FOR INSTRUCTIONS PLEASE VISIT [HTTP://IOFLIVE.COM/INSTRUCTIONS.HTML](http://ioflive.com/instructions.html))



OPENING FOR SANITIZER DISPENSER: 8.5"W x 18"H



APPROVED QUOTE SHEET (VALID FOR 90 DAYS)



Drawing is complete. Please proceed and see the attached purchase order.

Signature _____ Date _____



Changes required. See my notes and provide me with an updated drawing and quotation.

PO# / Project:

Tag:

Client: IOF BUSINESS FURNITURE

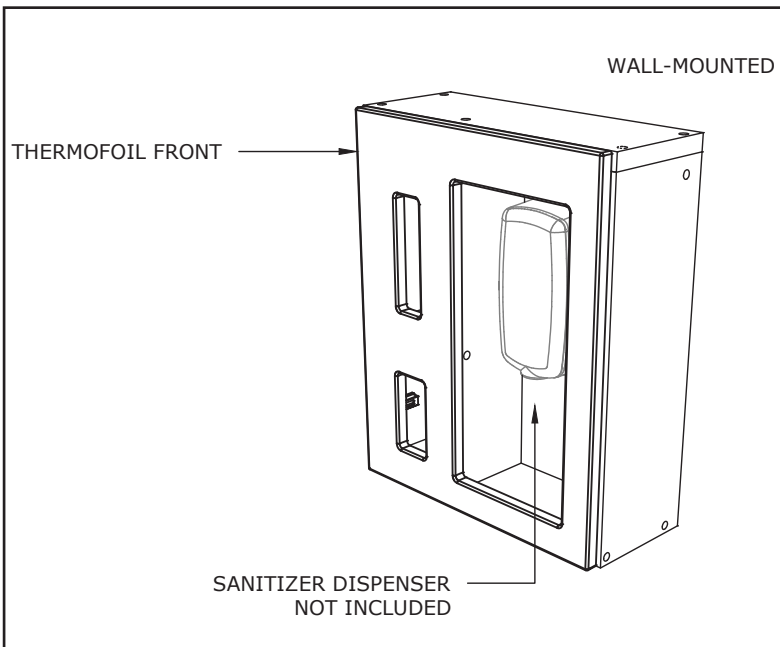
Date: 05/01/2020

F

CAD File: Station #1

Page: 1 of 1





Available in:

White, Black , Candlelight, Graphite Wood and Hard Rock Maple

Dimensions:

19"W x 23"H x 8"D

Material:

Thermofoil Front, Melamine Box

Starting at:

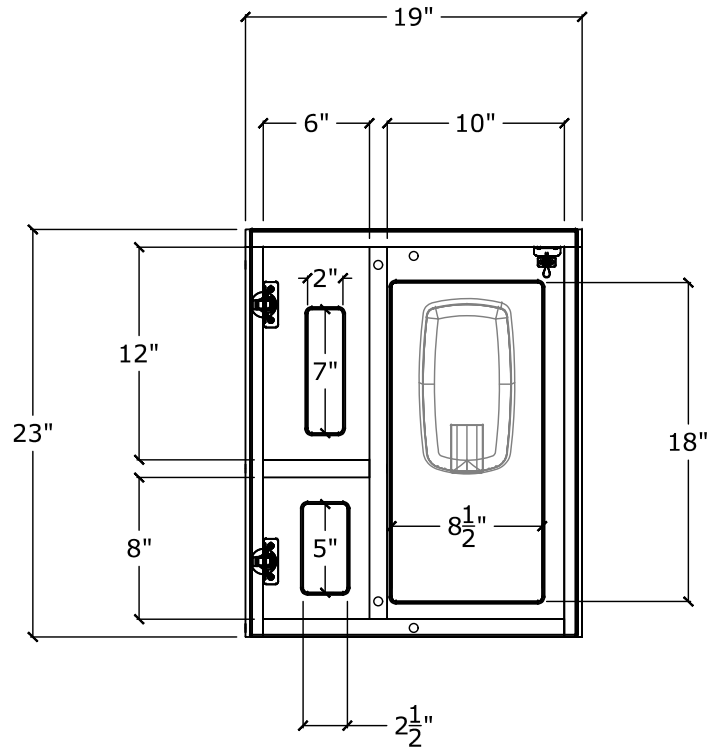
\$450 List

Dealer to determine and provide additional hardware needed for install.

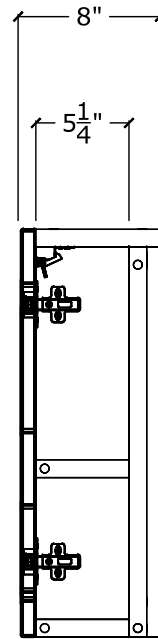
Dealer to provide sanitizer dispenser and masks.

**Orders submitted with ANY changes to your approved drawing will not be processed.
Please contact your inside sales representative for an updated drawing before submitting your purchase order.**

NOTE: WALL-MOUNTED UNIT MUST BE PROFESSIONALLY INSTALLED (FOR INSTRUCTIONS PLEASE VISIT [HTTP://IOFLIVE.COM/INSTRUCTIONS.HTML](http://ioflive.com/instructions.html))

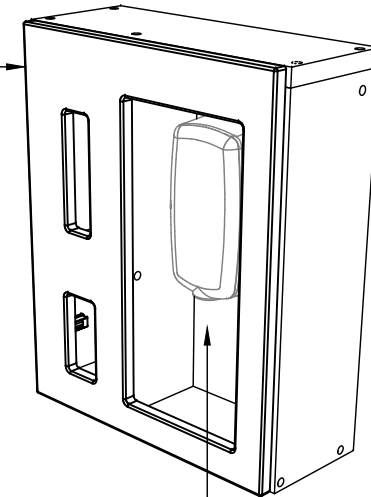


COMPARTMENT FOR TISSUE BOX: 6"W x 12"H x 5.25"D
 COMPARTMENT FOR MASKS: 6"W x 8"H x 5.25"D
 OPENING FOR SANITIZER DISPENSER: 8.5"W x 18"H



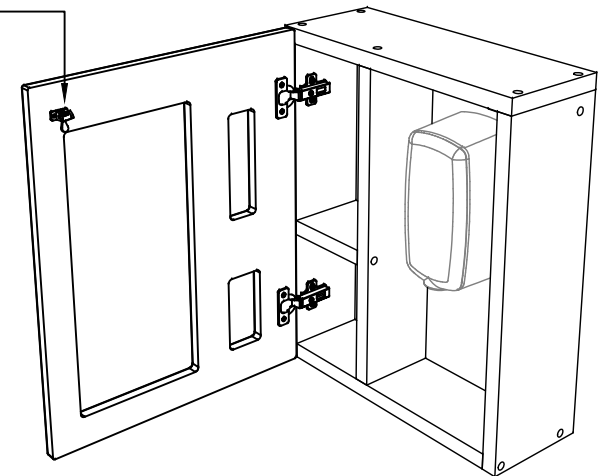
THERMOFOIL FRONT

WALL-MOUNTED



SANITIZER DISPENSER
NOT INCLUDED

FINGER RELEASE



APPROVED QUOTE SHEET (VALID FOR 90 DAYS)



Drawing is complete. Please proceed and see the attached purchase order.

Signature _____ Date _____



Changes required. See my notes and provide me with an updated drawing and quotation.

PO# / Project:

Tag:

Client: IOF BUSINESS FURNITURE

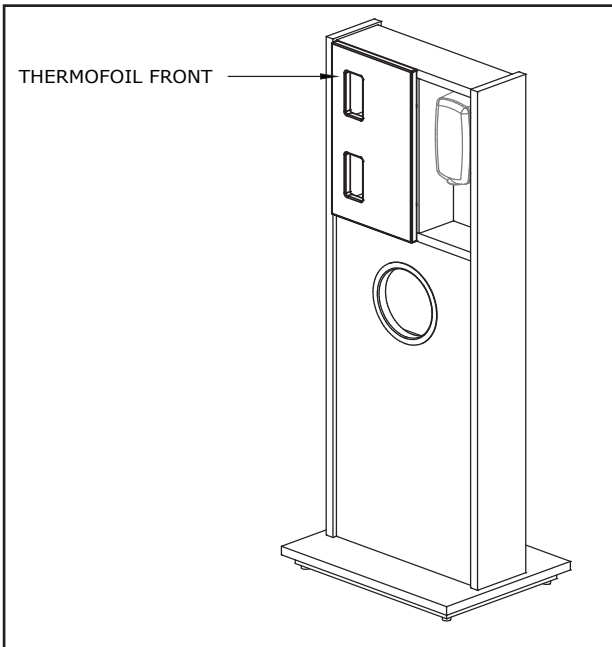
Date: 05/01/2020

F

CAD File: Station #2

Page: 1 of 1





Available in:

White, Black , Candlelight, Graphite Wood and Hard Rock Maple

Dimensions:

22"W x 60"H x 7"D
(Base: 24"Wx 18"D)

Material:

Thermofoil Front, Melamine Box, 6" Plastic Grommet

Starting at:

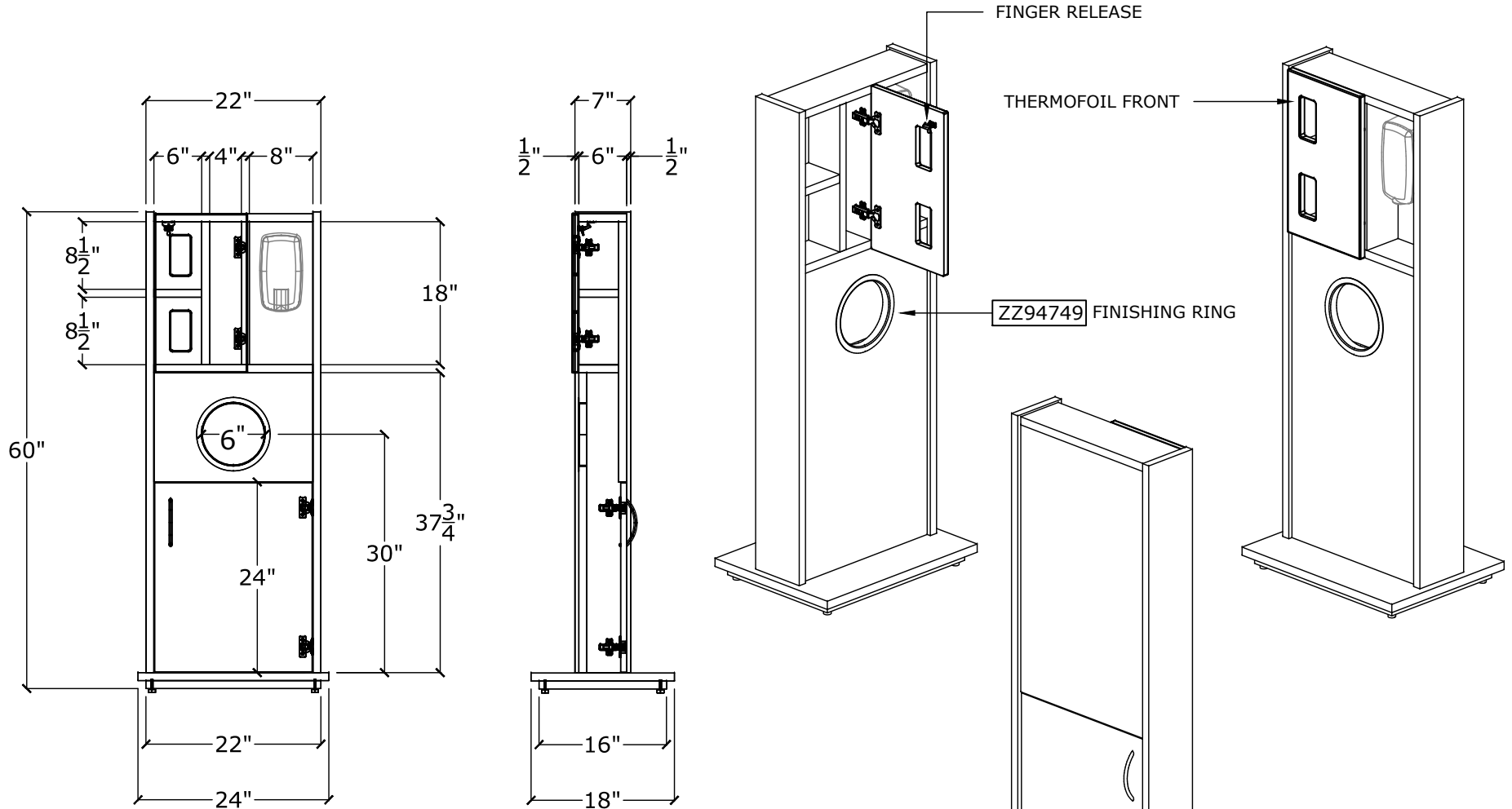
\$1040 List

Dealer to determine and provide additional hardware needed for install.

Dealer to provide sanitizer dispenser and masks.

**Orders submitted with ANY changes to your approved drawing will not be processed.
Please contact your inside sales representative for an updated drawing before submitting your purchase order.**

2



COMPARTMENT (x2) FOR MASKS: 6"W x 8.5"H x 5"D
OPENING FOR SANITIZER DISPENSER: 8.5"W x 18"H

APPROVED QUOTE SHEET (VALID FOR 90 DAYS)



Drawing is complete. Please proceed and see the attached purchase order.

Signature _____ Date _____



Changes required. See my notes and provide me with an updated drawing and quotation.

PO# / Project:

Tag:

Client: IOF BUSINESS FURNITURE

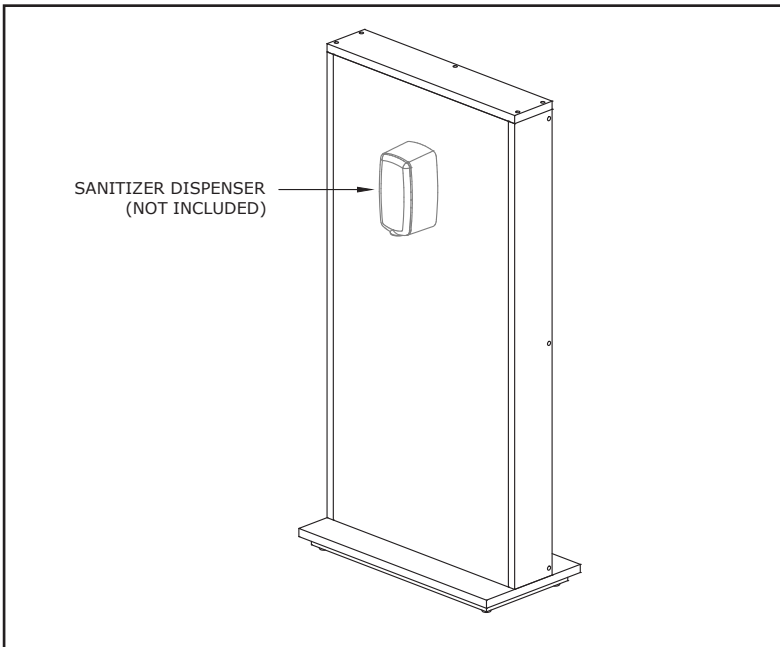
Date: 05/01/2020

F

CAD File: Station #3

Page: 1 of 1





Available in:
All standard IOF finishes.

Dimensions:
30"W x 60"H x 6"D
(Base: 30"W x 15"D)

Material:
Melamine Stand

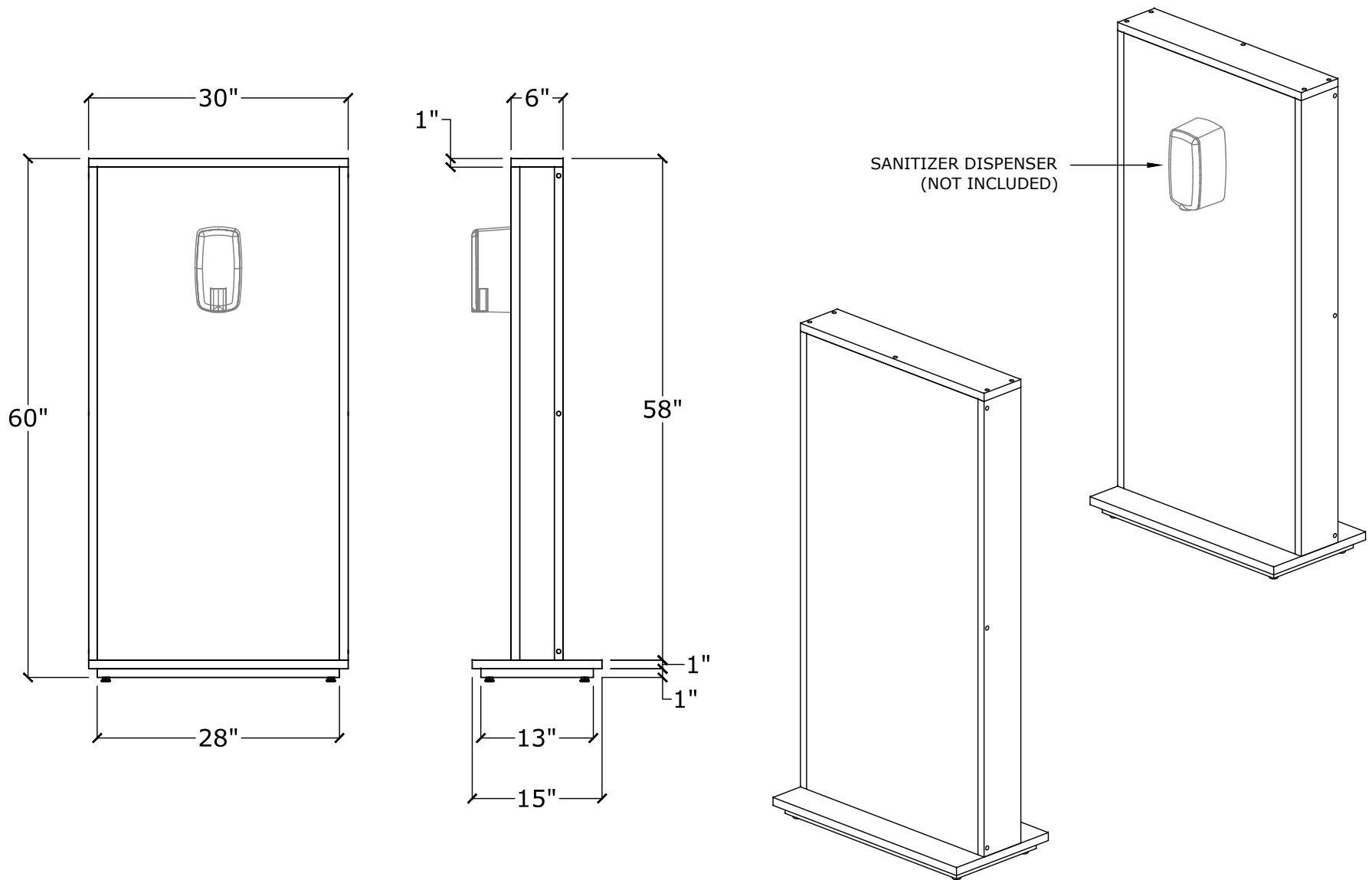
Starting at:
\$800 List

Dealer to determine and provide additional hardware needed for install.

Dealer to provide sanitizer dispenser.

**Orders submitted with ANY changes to your approved drawing will not be processed.
Please contact your inside sales representative for an updated drawing before submitting your purchase order.**

1



APPROVED QUOTE SHEET (VALID FOR 90 DAYS)



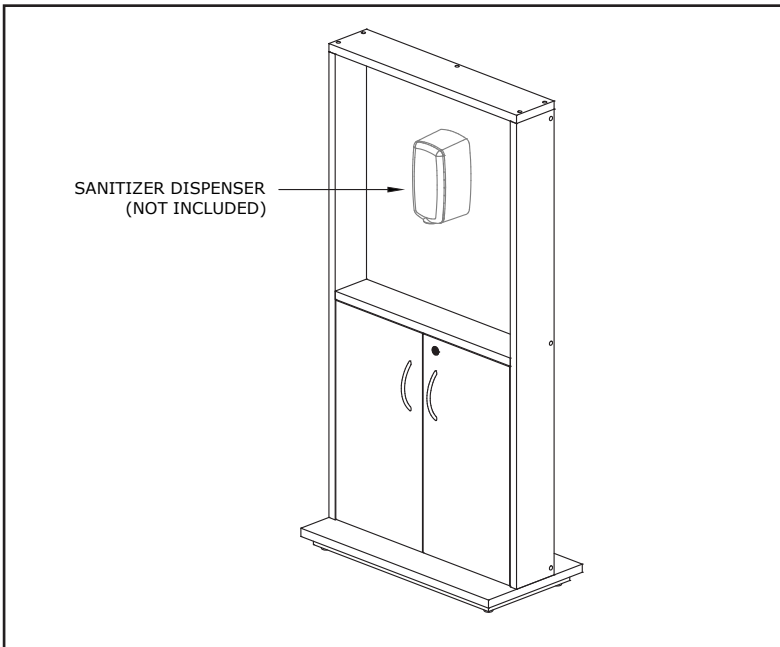
Drawing is complete. Please proceed and see the attached purchase order.

Signature _____ Date _____



Changes required. See my notes and provide me with an updated drawing and quotation.

PO# / Project:	
Tag:	
Client: IOF BUSINESS FURNITURE	
Date: 05/15/2020	F
CAD File: Station #4	
Page: 1 of 1	



Available in:
All standard IOF finishes.

Dimensions:
30"W x 60"H x 6"D
(Base: 30"W x 15"D)

Material:
Melamine Stand

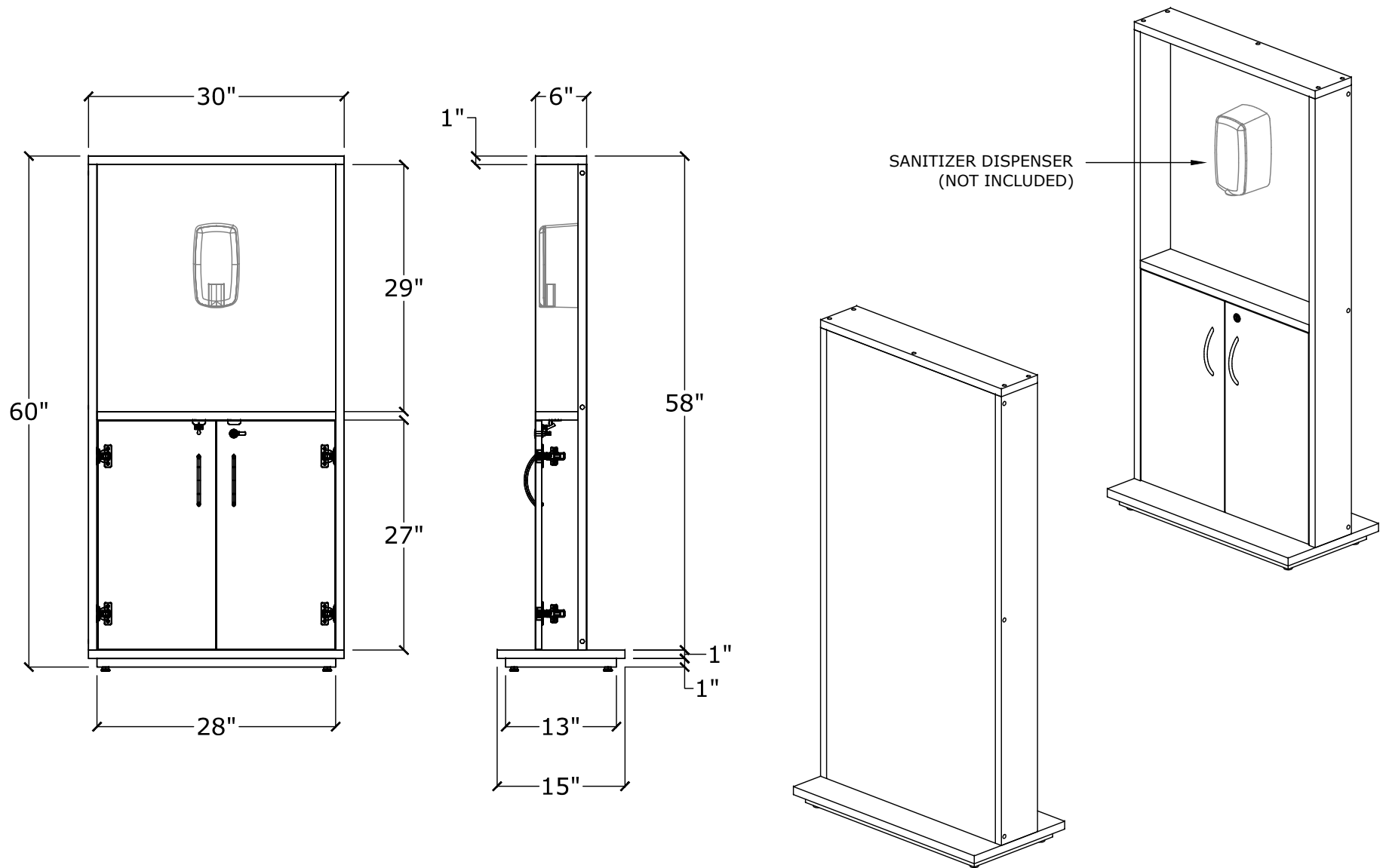
Starting at:
\$700 List

Dealer to determine and provide additional hardware needed for install.

Dealer to provide sanitizer dispenser.

**Orders submitted with ANY changes to your approved drawing will not be processed.
Please contact your inside sales representative for an updated drawing before submitting your purchase order.**

2



APPROVED QUOTE SHEET (VALID FOR 90 DAYS)



Drawing is complete. Please proceed and see the attached purchase order.

Signature _____ Date _____



Changes required. See my notes and provide me with an updated drawing and quotation.

PO# / Project:

Tag:

Client: IOF BUSINESS FURNITURE

Date: 05/15/2020

F

CAD File: Station #5

Page: 1 of 1

