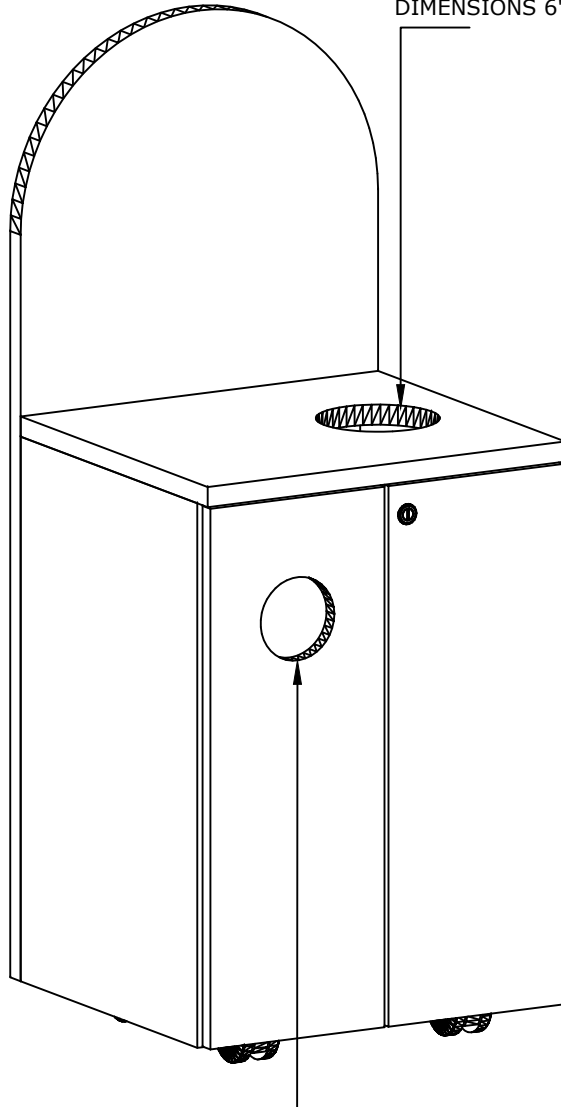


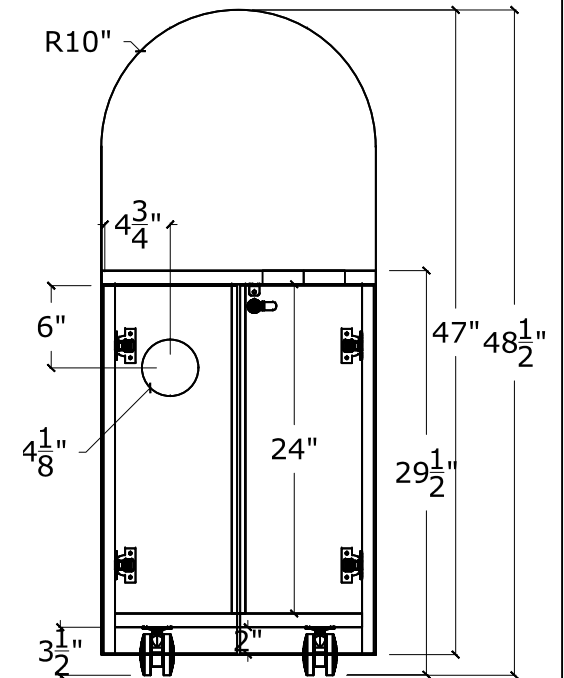
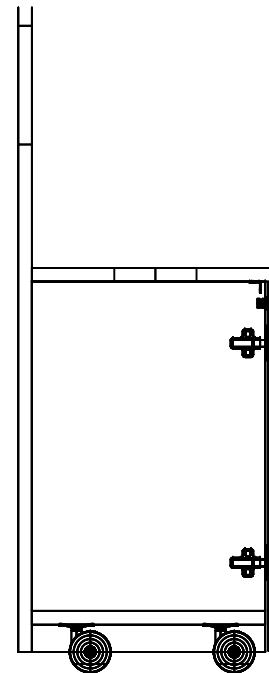
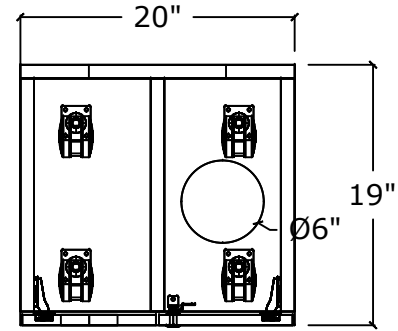
**Orders submitted with ANY changes to your approved drawing will not be processed.
Please contact your inside sales representative for an updated drawing before submitting your purchase order.**

C20602

NOTE: CUT-OUT NOT EDGED
DIMENSIONS 6" DIAMETER



NOTE: CUT-OUT NOT EDGED 4.1" DIAMETER, 6" FROM THE TOP OF DOOR



APPROVED QUOTE SHEET (VALID FOR 90 DAYS)



Drawing is complete. Please proceed and see the attached purchase order.

Signature _____ Date _____



Changes required. See my notes and provide me with an updated drawing and quotation.

PO# / Project:

Tag:

Client:

Date: 05/12/2020

CAD File:

Page: 1 of 1

V