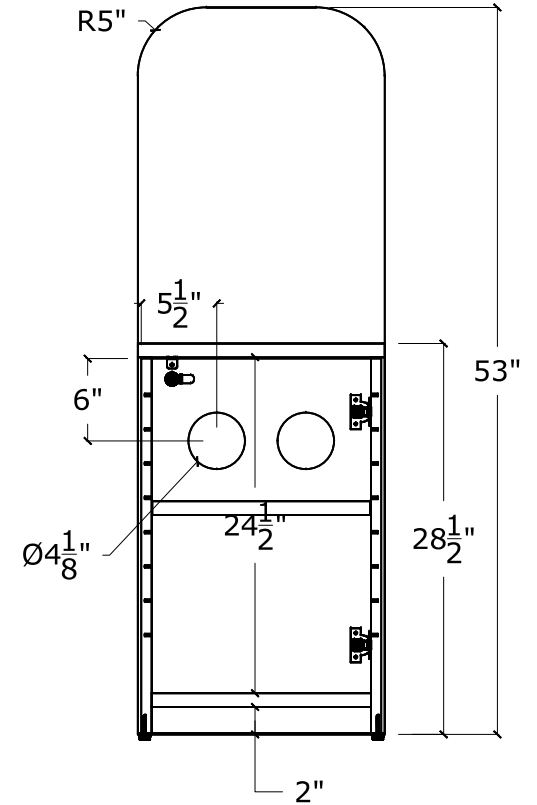
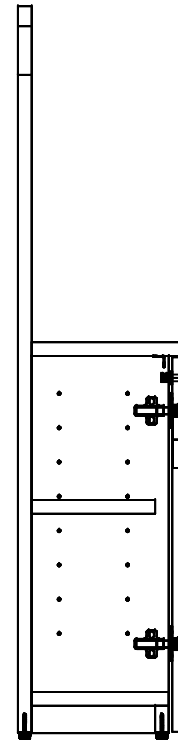
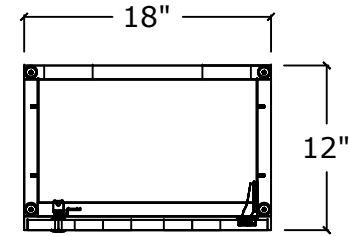
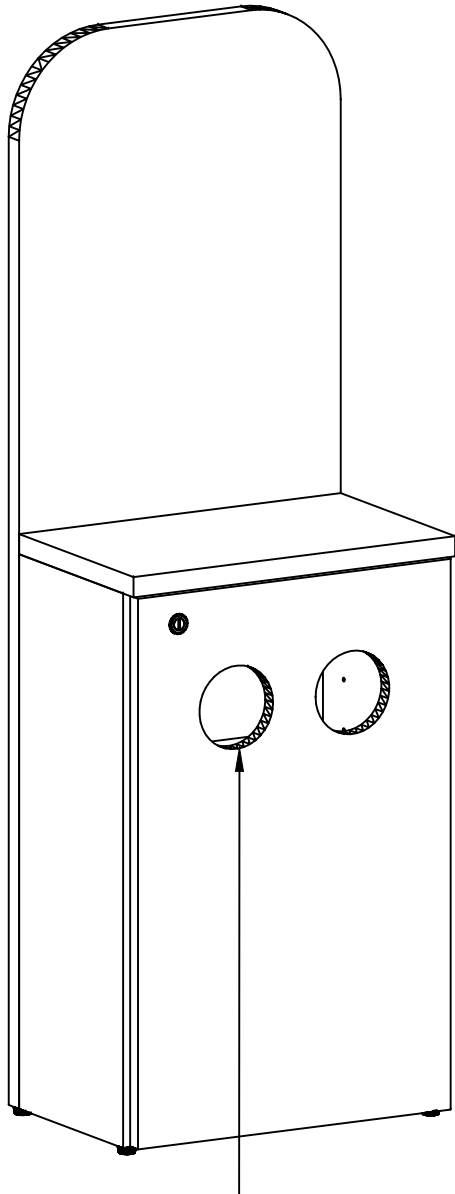


**Orders submitted with ANY changes to your approved drawing will not be processed.
Please contact your inside sales representative for an updated drawing before submitting your purchase order.**

C20600



NOTE: CUT-OUT NOT EDGED 4.1" DIAMETER, 6" FROM THE TOP OF DOOR

APPROVED QUOTE SHEET (VALID FOR 90 DAYS)



Drawing is complete. Please proceed and see the attached purchase order.
 Signature _____ Date _____

Changes required. See my notes and provide me with an updated drawing and quotation.

PO# / Project: _____
 Tag: _____
 Client: _____
 Date: 05/12/2020
 CAD File: _____
 Page: 1 of 1

V