

**Available in:**  
All standard IOF finishes.

**Dimensions:**  
30"W x 60"H x 6"D  
(Base: 30"W x 15"D)

**Material:**  
Melamine Stand

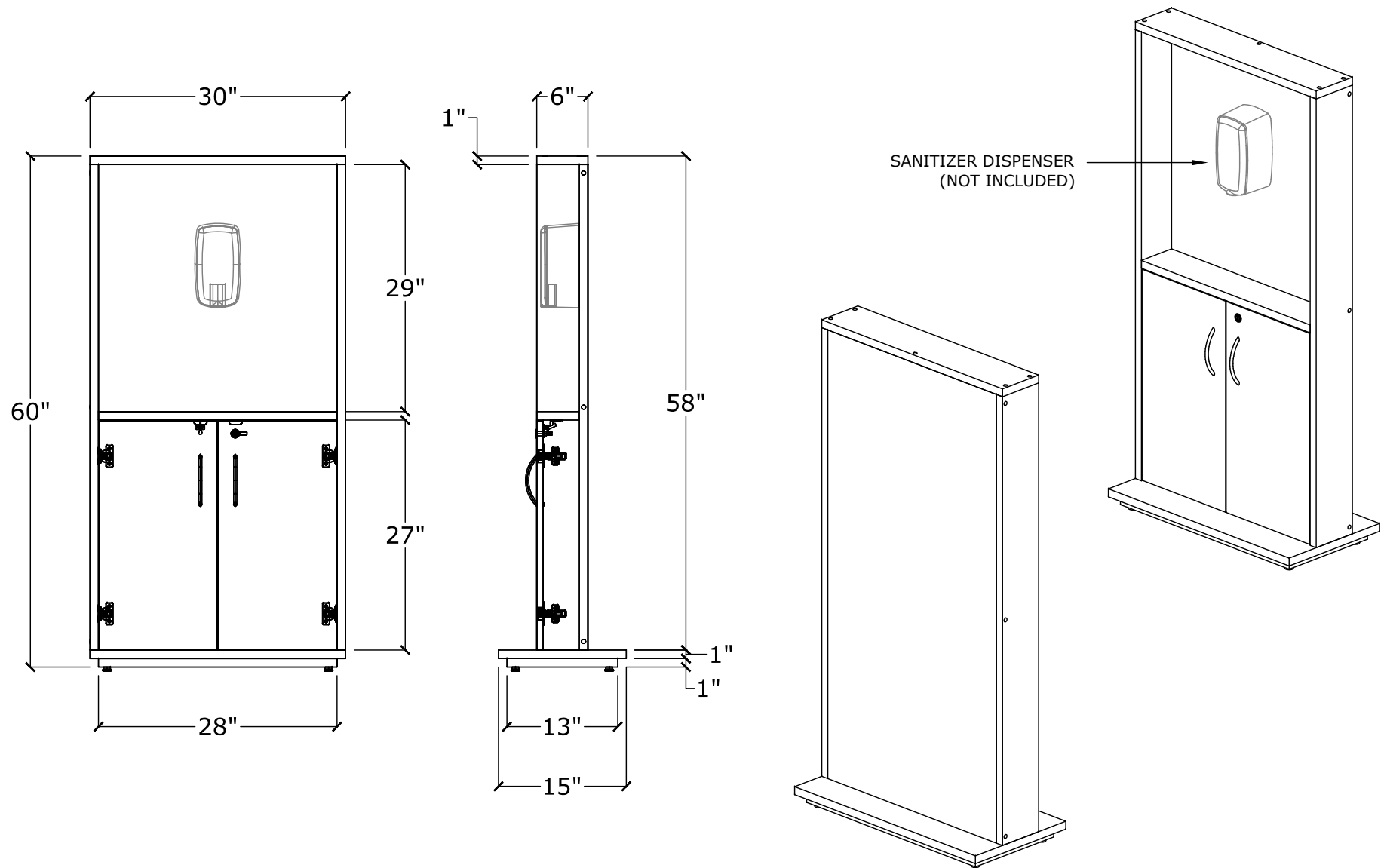
**Starting at:**  
\$700 List

**Dealer to determine and provide additional hardware needed for install.**

**Dealer to provide sanitizer dispenser.**

**Orders submitted with ANY changes to your approved drawing will not be processed.  
Please contact your inside sales representative for an updated drawing before submitting your purchase order.**

2



APPROVED QUOTE SHEET (VALID FOR 90 DAYS)



Drawing is complete. Please proceed and see the attached purchase order.

Signature \_\_\_\_\_ Date \_\_\_\_\_



Changes required. See my notes and provide me with an updated drawing and quotation.

PO# / Project:

Tag:

Client: IOF BUSINESS FURNITURE

Date: 05/15/2020

F

CAD File: Station #5

Page: 1 of 1

