

**Available in:**

White, Black , Candlelight, Graphite Wood and Hard Rock Maple

**Dimensions:**

22"W x 60"H x 7"D  
(Base: 24"Wx 18"D)

**Material:**

Thermofoil Front, Melamine Box, 6" Plastic Grommet

**Starting at:**

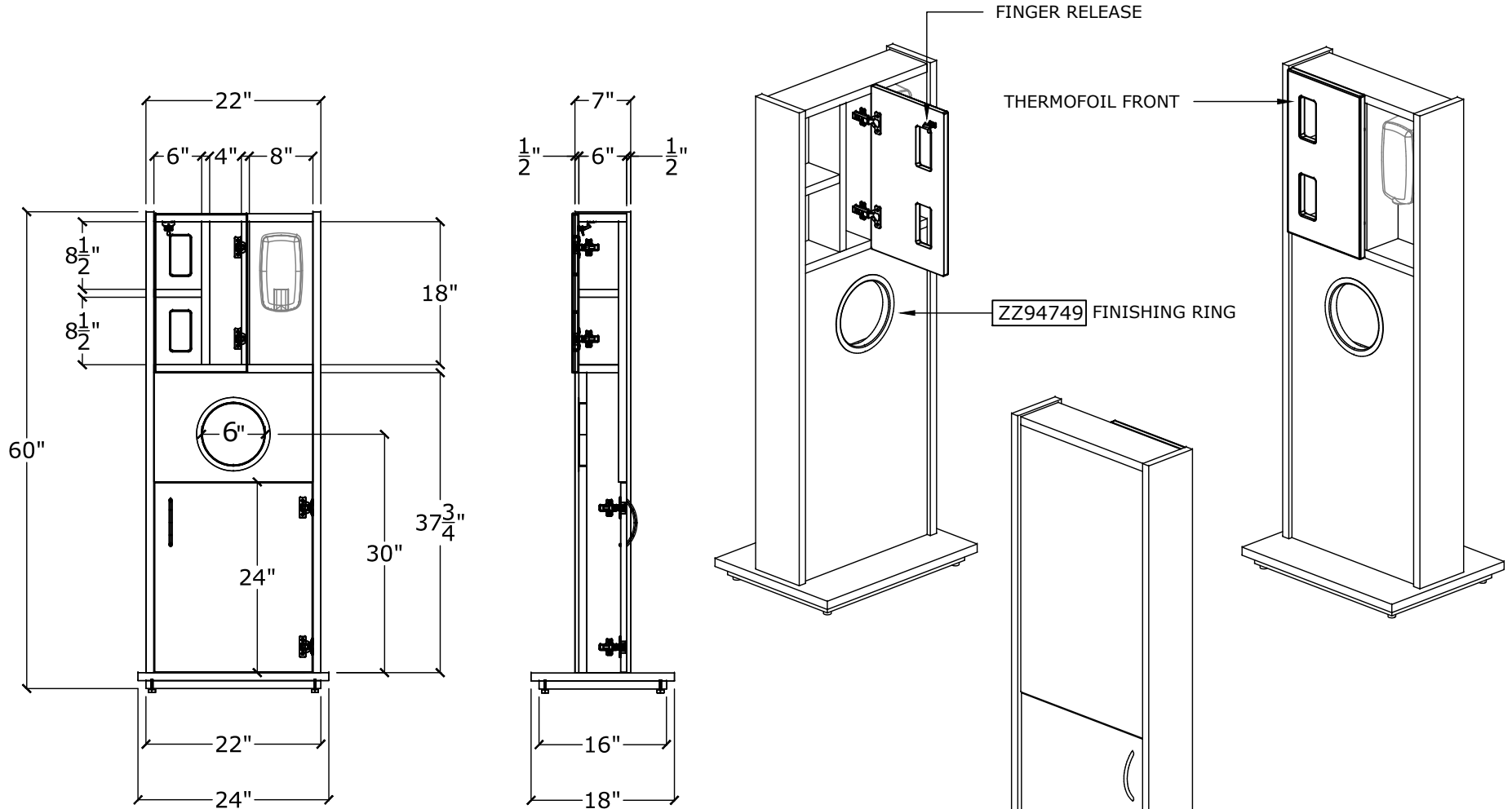
\$1040 List

**Dealer to determine and provide additional hardware needed for install.**

**Dealer to provide sanitizer dispenser and masks.**

**Orders submitted with ANY changes to your approved drawing will not be processed.  
Please contact your inside sales representative for an updated drawing before submitting your purchase order.**

2



COMPARTMENT (x2) FOR MASKS: 6"W x 8.5"H x 5"D  
OPENING FOR SANITIZER DISPENSER: 8.5"W x 18"H

APPROVED QUOTE SHEET (VALID FOR 90 DAYS)



Drawing is complete. Please proceed and see the attached purchase order.

Signature \_\_\_\_\_ Date \_\_\_\_\_



Changes required. See my notes and provide me with an updated drawing and quotation.

PO# / Project:

Tag:

Client: IOF BUSINESS FURNITURE

Date: 05/01/2020

F

CAD File: Station #3

Page: 1 of 1

