

Available in:

White, Black , Candlelight, Graphite Wood and Hard Rock Maple

Dimensions:

19"W x 23"H x 8"D

Material:

Thermofoil Front, Melamine Box

Starting at:

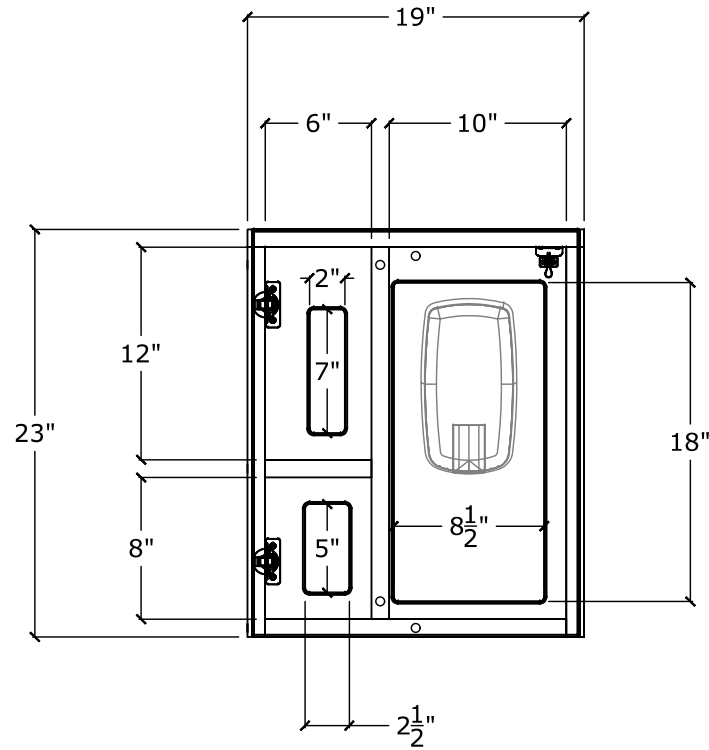
\$450 List

Dealer to determine and provide additional hardware needed for install.

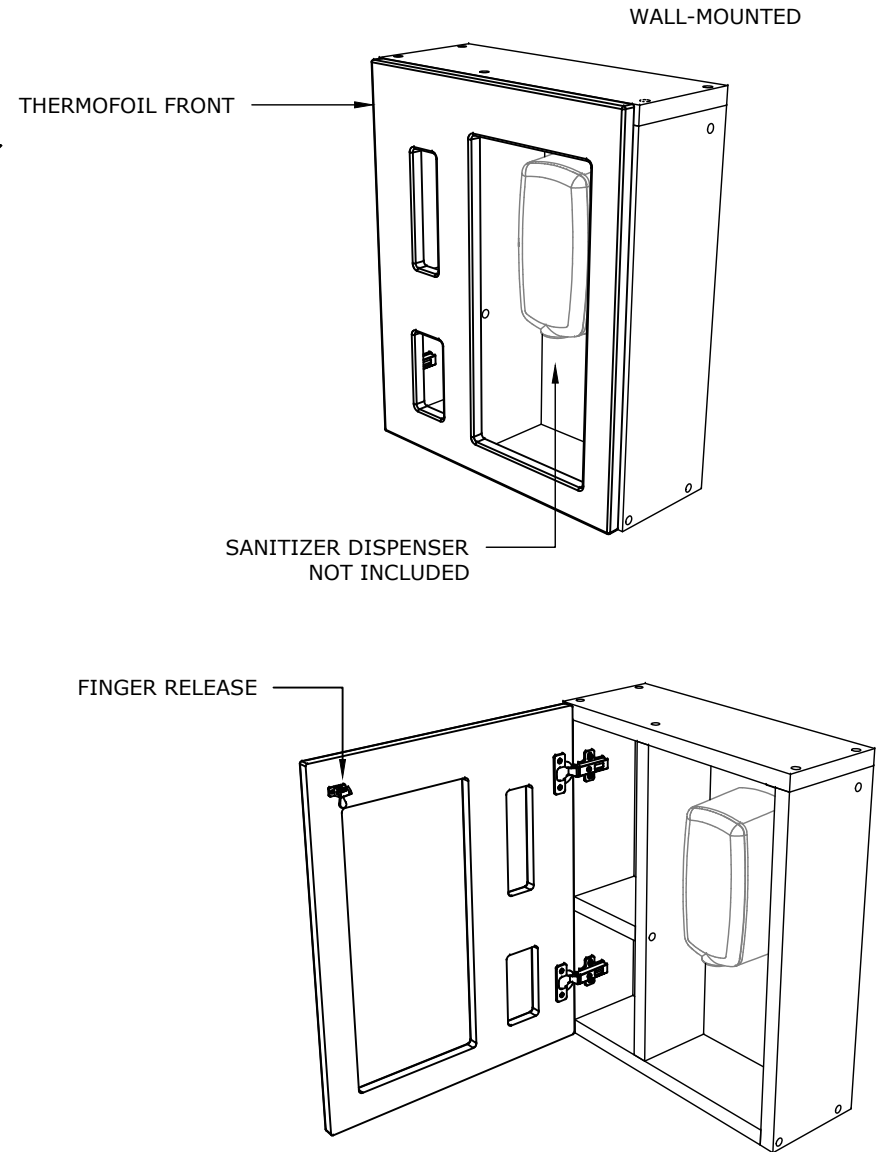
Dealer to provide sanitizer dispenser and masks.

**Orders submitted with ANY changes to your approved drawing will not be processed.
Please contact your inside sales representative for an updated drawing before submitting your purchase order.**

NOTE: WALL-MOUNTED UNIT MUST BE PROFESSIONALLY INSTALLED (FOR INSTRUCTIONS PLEASE VISIT [HTTP://IOFLIVE.COM/INSTRUCTIONS.HTML](http://ioflive.com/instructions.html))



COMPARTMENT FOR TISSUE BOX: 6"W x 12"H x 5.25"D
 COMPARTMENT FOR MASKS: 6"W x 8"H x 5.25"D
 OPENING FOR SANITIZER DISPENSER: 8.5"W x 18"H



APPROVED QUOTE SHEET (VALID FOR 90 DAYS)



Drawing is complete. Please proceed and see the attached purchase order.

Signature _____ Date _____



Changes required. See my notes and provide me with an updated drawing and quotation.

PO# / Project:

Tag:

Client: IOF BUSINESS FURNITURE

Date: 05/01/2020

F

CAD File: Station #2

Page: 1 of 1

