

**Available in:**

White, Black , Candlelight, Graphite Wood and Hard Rock Maple

**Internal Opening:**

8.5"W x 18"H x 3.25"D

**Material:**

Thermofoil Front, Melamine Box

**Starting at:**

\$375 List

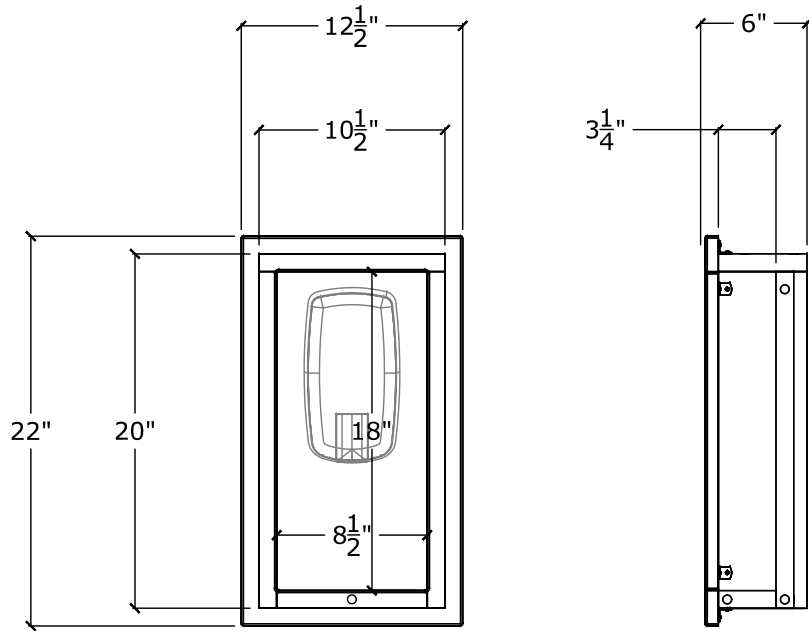
Dealer to determine and provide additional hardware needed for install.

Dealer to provide sanitizer dispenser.

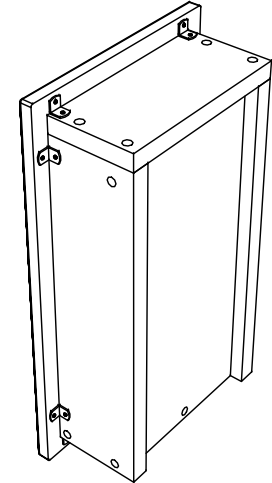
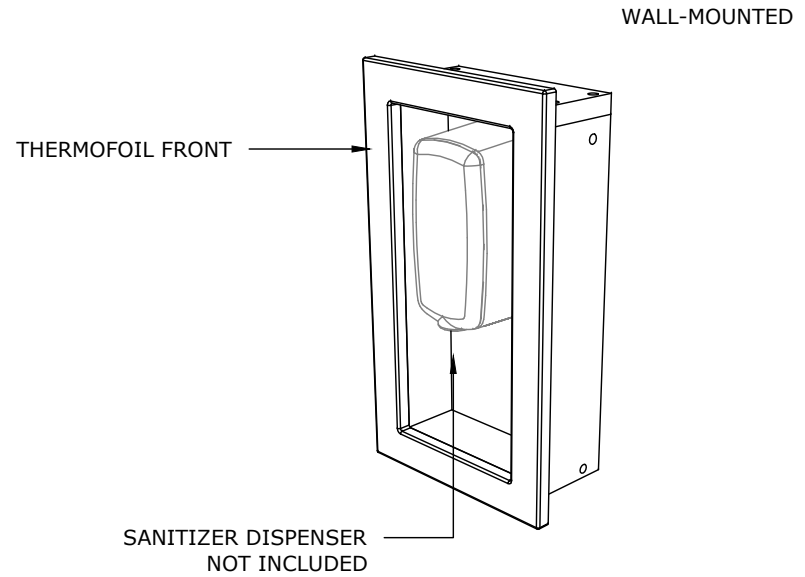
**Minimum Order: 5 pcs**

**Orders submitted with ANY changes to your approved drawing will not be processed.  
Please contact your inside sales representative for an updated drawing before submitting your purchase order.**


NOTE: WALL-MOUNTED UNIT MUST BE PROFESSIONALLY INSTALLED (FOR INSTRUCTIONS PLEASE VISIT [HTTP://IOFLIVE.COM/INSTRUCTIONS.HTML](http://ioflive.com/instructions.html))




OPENING FOR SANITIZER DISPENSER: 8.5"W x 18"H



APPROVED QUOTE SHEET (VALID FOR 90 DAYS)

 Drawing is complete. Please proceed and see the attached purchase order.

Signature \_\_\_\_\_ Date \_\_\_\_\_

 Changes required. See my notes and provide me with an updated drawing and quotation.

PO# / Project:

Tag:

Client: IOF BUSINESS FURNITURE

Date: 05/01/2020

F

CAD File: Station #01

Page: 1 of 1

