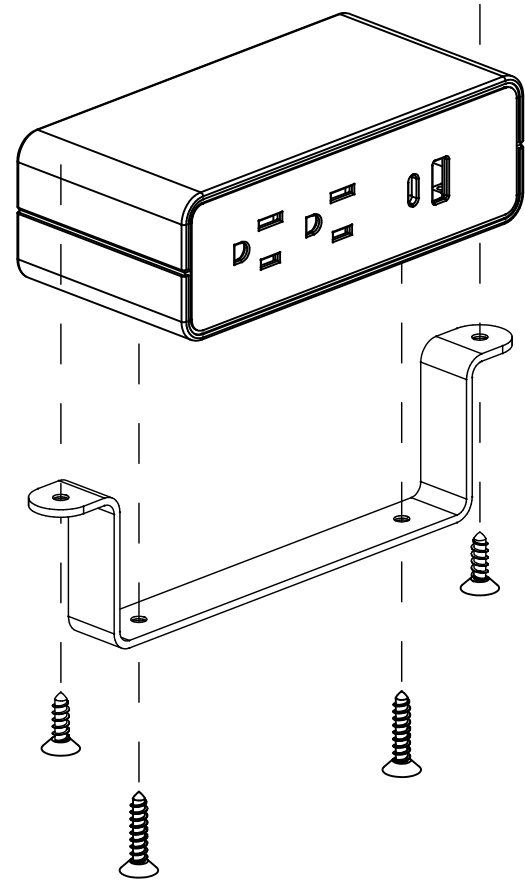
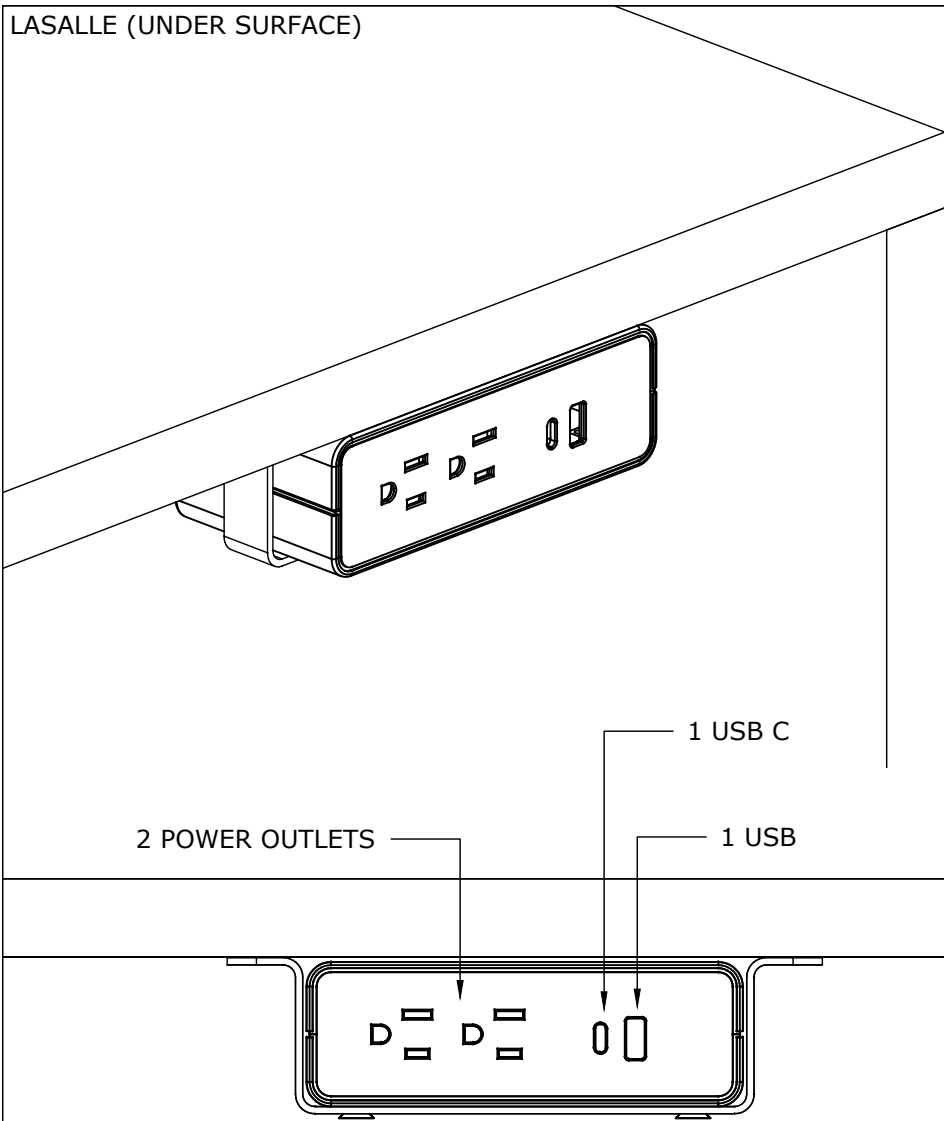


LASALLE (UNDER SURFACE)



REFERENCE DRAWING

PO# / Project:	
Tag:	
Client: IOF BUSINESS FURNITURE	
Date: 02/20/2024	F
CAD File: IOF(02202024_1)	
Page: 11 of 11	